



electric
press brake

EUROMAC®

general catalogue

Innovation, reliability
and productivity.

1023



FX bend
1023

The FX bend 1023 stands out for innovation and high accuracy. The design and attention to detail are combined with high quality standards, with the aim to provide you with a machine that is streamlined, productive and exciting.

Bending length
1020 mm.
Maximum bending force
230 kN.

Innovation, reliability
and productivity
combined with
a stronger power
and enlarged
bending length.

1547



FX bend 1547

A machine designed to overcome your goals. Thus it was born the FX Bend 1547. A solution for your performance needs that combines the features of the FX Bend range with greater power and an increased bending length.

Bending length
1530 mm.
Maximum bending force
470 kN.

Sixty tons of power and
greater bending length.
Euromac technology
shows it has muscles.

2560



FXbend 2560

Finally the machine is designed to go further.
More equipment capacity, increase in the bending length and
great versatility, because it is possible to increase the number
of usable tools.

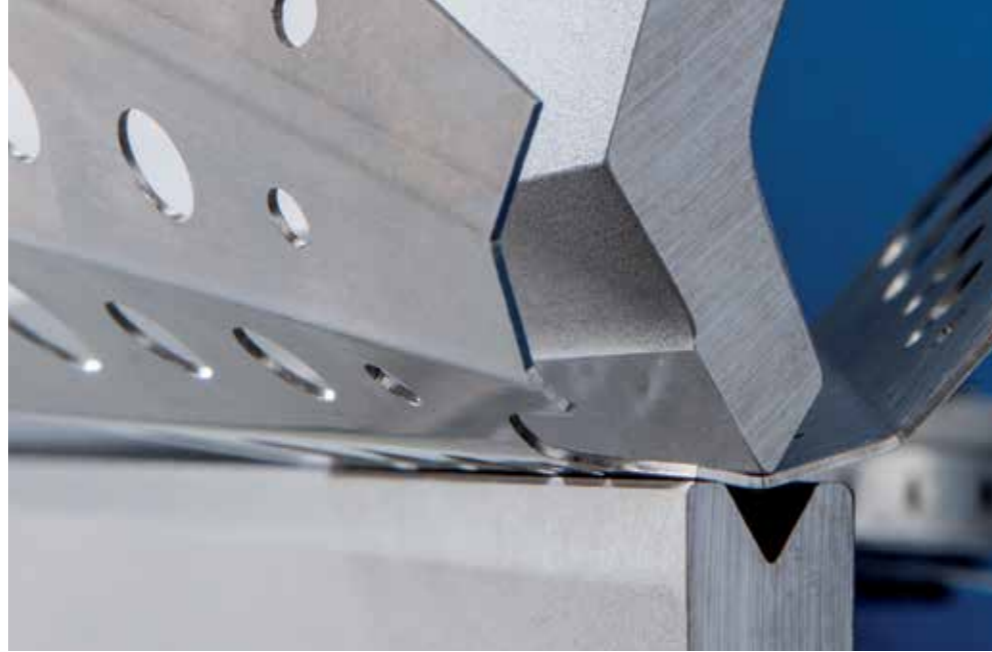
Bending length
2550 mm.
Maximum bending force
600 kN.

*Values are subject to possible variations

Technology

INNOVATION

Maximum precision and maximum tonnage during the whole bending length.



Technology

BACKGAUGE

Maximum productivity. The reduced weight of the indexes, allows to reach a speed of up to 1.100 mm/s.

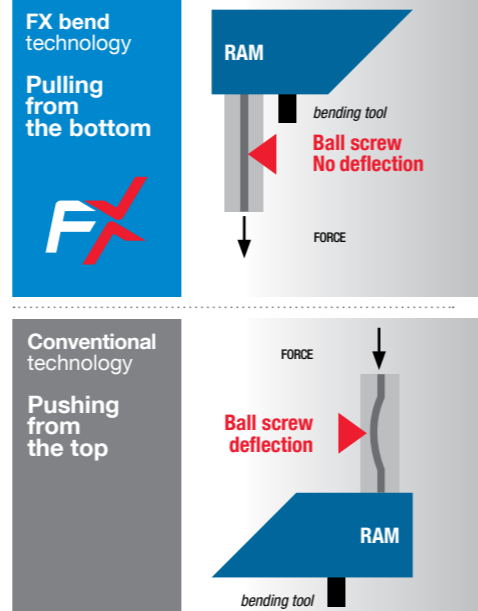
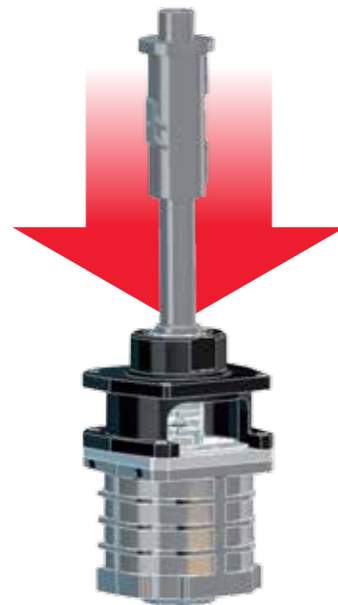


Direct drive motor and bottom pull.

Maximum efficiency and reliability (no unnecessary links and moving parts), maximum accelerations (low inertia), strength and precision (no deflections on the ball screw while applying force).

Speed of 200 mm/s and deceleration until the mute point.

Thanks to the direct drive, short screw and pull system, the FX bend quickly reaches the top speed and decelerate when the punch reaches the material to a safe bending speed.



4 Axes

X, R, Z1 & Z2.

Fully automatic and programmable X, R, Z1 and Z2 axes.

Not available in the version FX Bend 2560.

6 Axes

X1, X2, R1, R2, Z1 & Z2.

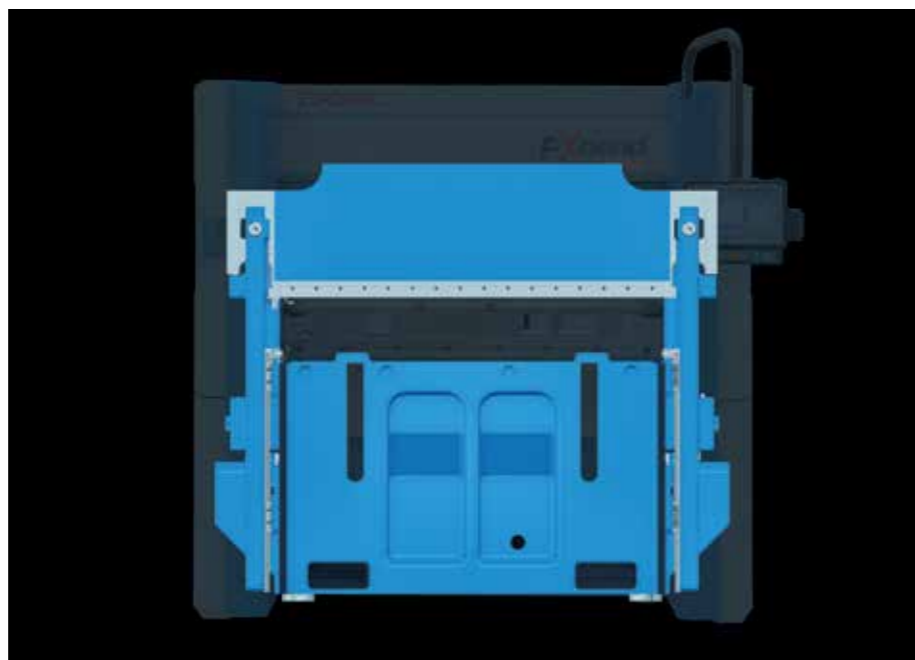
Fully automatic and independent movements. The reduced weight of the indexes, allows to reach a speed up to 1.100 mm/s which, together with high acceleration (200 mm/s²), ensure a maximum productivity.

Maximum reliability. Monoblock frame.

The frame is made out of interconnected Meehanite (700 N/mm² resistance) monoblock frames. This delivers maximum rigidity, reliability and accuracy for your parts.

Thanks to the ergonomic frame design the user works in a comfortable position, the machine allows bends up to the maximum length and tools are easily removed from the side.

Patent Pending.



Configuration

TOOL TYPE

Easy to use.
Compatible with the best quality tools.



Safety

GUARDING SYSTEM

Highly effective solutions for **operator security and machine productivity.**

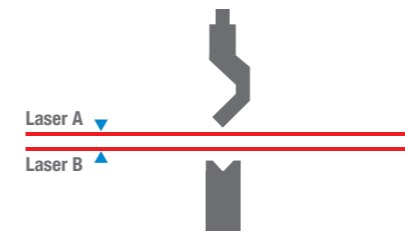


Wila clamping tooling system.

- Top tool holder with automatic hydraulic clamping system.
- Bottom tool holder with automatic hydraulic clamping system and multi section manual crowning.



LZS-LG-HS



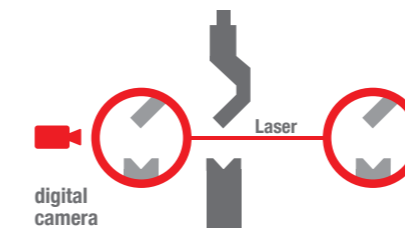
Allows the operator to work safely close to the tools even as the RAM and backgauge moves at high speed. The maximum speed holds up to 6 mm distance from the part. The system continuously monitors the speed performance of the pressing beam.

Promecam fast punch clamping system.

Quick and easy top tool holder fast clamping system which allows the frontal tool ejection and the automatic punch alignment in order to reduce the machine set up!



IRIS



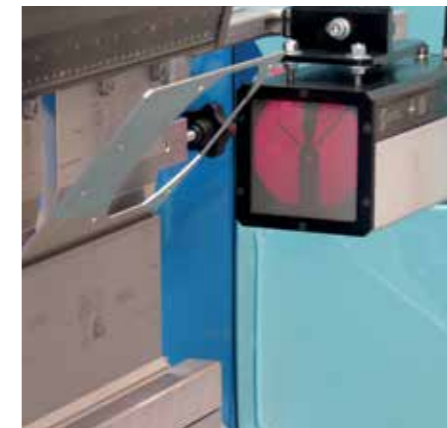
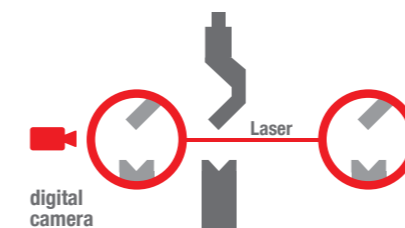
RapidBend Ultimate minimizes the "slow" speed movements of the machine. The punch reaches the max speed up to the material contact to make the most of the machine performance. RapidBend is the innovative technology that reduces the normal machine cycle up to 2 seconds reducing significantly the operation time and costs saving.

Promecam fast clamping system with manual crowning system table.

Quick and easy top and bottom tool holders fast clamping system which allows the frontal tool ejection and the automatic alignment in order to reduce the machine set up time! The table has multi section manual crowning system which is a fast and precise way to ensure a steady angle through the bending length.



IRIS PLUS



The "Active Angle Control" controls and adjusts in real time the angle throughout the bending process. The "Active Angle Control" ensures angular accuracy regardless of material variations and forming conditions as it eliminates the influence of bend length, bending force and off center loads. The result is maximum precision, absolute repeatability. No material setting, no sheet length setting, no bending force setting, no sampling test, no manual correction: you just set the desired angle and you get it, no matter which material, dimension bending force.

Configuration

CONTROL UNIT

FX touch software
user friendly
interface.



Design

INNOVATION

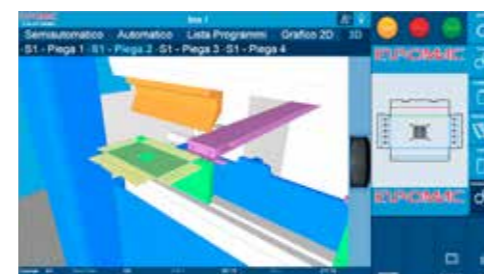
A unique design that perfectly combines **aesthetic and functionality.**

Control unit:

- Anti-glare touch-screen LCD.
- Water and dust resistant.
- Up to 9 hours battery power backup or UPS.
- Impact resistant.

- Automatic bending sequence calculation.
- USB and WiFi connection.
- DXF import files.
- 2,5 D Graphic visualization.
- 3D viewer optional.

** The values or parameters can be different.*



Ergonomics.

Machine specifications such as speed and productivity would be meaningless without keeping in account the human interaction. The Euromac FX bend is designed to be user friendly and have ergonomic features.

The machine allows the operator to work in a comfortable position whether he is stand or sit. The support table can be moved to the sides from the folding area. Solutions designed to maximize productivity and facilitate the operators work.



Easy transportability.

Fork lift ready and optimized weight distribution for easy transportability: quickly rearrange your shop floor allowing a maximized and lean productivity.





FXbend
1023

technical data

1023	
Max. bending force (kN)	230
Bending length (mm)	1020
Y axis stroke (mm)	196
Y axis speed (mm/sec)	200
Inclination (mm) (Y1-Y2)	-
Opening (mm) (table to ram)	470 (395)
X axes stroke (mm) (4 axes X-R-Z1-Z2)	375 + 400
4 AXES BACKGAUGE (X - R - Z1-Z2)	
R axes stroke (mm) (4 axes X-R-Z1-Z2)	180
Z axes stroke (mm) (4 axes X-R-Z1-Z2)	850 - 85x2
X axes speed (mm/sec) (4 axes X-R-Z1-Z2)	250
R axes speed (mm/sec) (4 axes X-R-Z1-Z2)	600
Z axes speed (mm/sec) (4 axes X-R-Z1-Z2)	1100
X axes stroke (mm) (6 axes X1-X2-R1-R2-Z1-Z2)	375 + 230
6 AXES BACKGAUGE (X1-X2 - R1-R2 - Z1-Z2)	
R axis stroke (mm) (6 axes X1-X2-R1-R2-Z1-Z2)	180
Z axis stroke (mm) (6 axes X1-X2-R1-R2-Z1-Z2)	744
X axis speed (mm/sec) (6 axes X1-X2-R1-R2-Z1-Z2)	1000
R axis speed (mm/sec) (6 axes X1-X2-R1-R2-Z1-Z2)	650
Z axis speed (mm/sec) (6 axes X1-X2-R1-R2-Z1-Z2)	800
Connections wireless/USB port	YES/2
Motor power (kW)	1x5,2
Connected load (kWa)	5
Approx. weight (kg)	2260



FXbend
1547

technical data

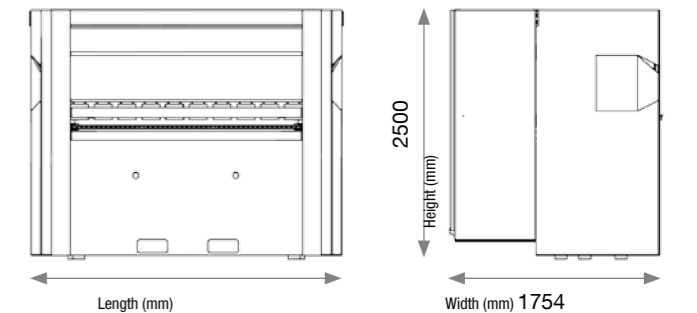
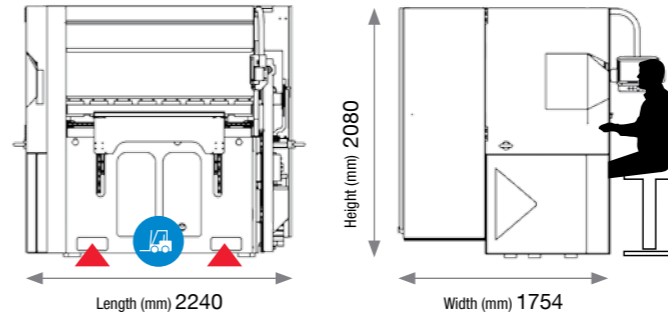
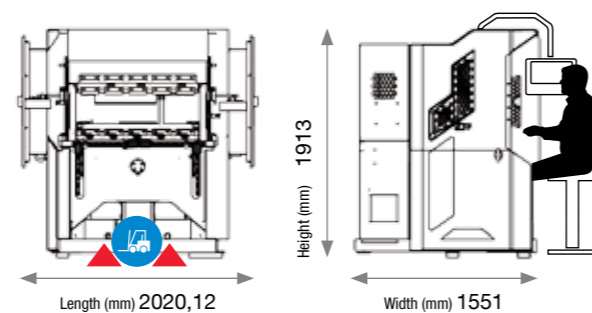
1547	
Max. bending force (kN)	470
Bending length (mm)	1530
Y axis stroke (mm)	250
Y axis speed (mm/sec)	200
Inclination (mm) (Y1-Y2)	+ - 10
Opening (mm) (table to ram)	470 (395)
4 AXES BACKGAUGE (X - R - Z1-Z2)	
X axes stroke (mm) (4 axes X-R-Z1-Z2)	375 + 400
R axes stroke (mm) (4 axes X-R-Z1-Z2)	180
Z axes stroke (mm) (4 axes X-R-Z1-Z2)	1500 - 85x2
X axes speed (mm/sec) (4 axes X-R-Z1-Z2)	250
R axes speed (mm/sec) (4 axes X-R-Z1-Z2)	600
Z axes speed (mm/sec) (4 axes X-R-Z1-Z2)	1100
6 AXES BACKGAUGE (X - R - Z1-Z2)	
X axes stroke (mm) (6 axes X1-X2-R1-R2-Z1-Z2)	375 + 230
R axis stroke (mm) (6 axes X1-X2-R1-R2-Z1-Z2)	180
Z axis stroke (mm) (6 axes X1-X2-R1-R2-Z1-Z2)	1350
X axis speed (mm/sec) (6 axes X1-X2-R1-R2-Z1-Z2)	1000
R axis speed (mm/sec) (6 axes X1-X2-R1-R2-Z1-Z2)	650
Z axis speed (mm/sec) (6 axes X1-X2-R1-R2-Z1-Z2)	800
Connections wireless/USB port	YES/2
Motor power (kW)	2x5,2
Connected load (kWa)	5
Approx. weight (kg)	4400



FXbend
2560

technical data

2560	
Max. bending force (kN)	500 / 600
Bending length (mm)	2550
Y axis stroke (mm)	250
Y axis speed (mm/sec)	200
Inclination (mm) (Y1-Y2)	+ - 10
Opening (mm) (table to ram)	470 (395)
6 AXES BACKGAUGE (X1-X2 - R1-R2 - Z1-Z2)	
X axes stroke (mm) (6 axes X1-X2-R1-R2-Z1-Z2)	375 + 230
R axis stroke (mm) (6 axes X1-X2-R1-R2-Z1-Z2)	180
Z axis stroke (mm) (6 axes X1-X2-R1-R2-Z1-Z2)	2350
X axis speed (mm/sec) (6 axes X1-X2-R1-R2-Z1-Z2)	1000
R axis speed (mm/sec) (6 axes X1-X2-R1-R2-Z1-Z2)	650
Z axis speed (mm/sec) (6 axes X1-X2-R1-R2-Z1-Z2)	800
Connections wireless/USB port	YES/2
Motor power (kW)	2x5,2
Connected load (kWa)	5
Approx. weight (kg)	6500





sheet metal working center



automated electric press brake



electric press brake



horizontal bending machines



notching machines

EUROMAC®

Euromac S.p.A.
Via per Sassuolo, 68/g
41043 Formigine (MO) - Italy
Tel. +39 059 579511
Fax +39 059 579512
info@euromac.it



PRODUCED & ASSEMBLED
IN ITALY BY EUROMAC

www.euromac.com

Disclaimer. Actual product may differ slightly from
images shown in this catalogue.
All information and data on this catalogue is
subject to change without notice.